

Envelope Feeder Type 400

(Code: G362)

For Machine Code: G094/G095

INSTALLATION GUIDE

Note

- This unit is a tray that slides into the optional Paper Feed Unit. Without the optional Paper Feed Unit, this Envelope Feeder cannot be used.
- Your printer can have two optional Paper Feed Units. The Envelope Feeder Unit can be used in "Tray 2". Neither the main unit's feed tray (Tray 1) nor Tray 3 can be used for this purpose.

Important

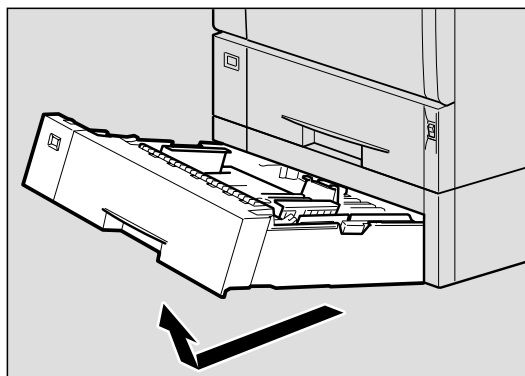
- Do not slide more than one paper tray out at the same time. Having more than one paper tray filled with paper in a fully extended position could cause the machine to fall down.
- Check the printer nameplate to confirm the model code.

The following explanation uses the example of installing the Envelope Feeder Unit in "Tray 2".

1 Check the contents of the box for the following items:

Description	Q'ty
Envelope Feeder	1
Installation Guide (This manual)	1

2 Pull out the second paper tray (Tray 2) of the optional Paper Feed Unit until it stops. After that, lift it slightly, and then pull it out.



ZKEP330E

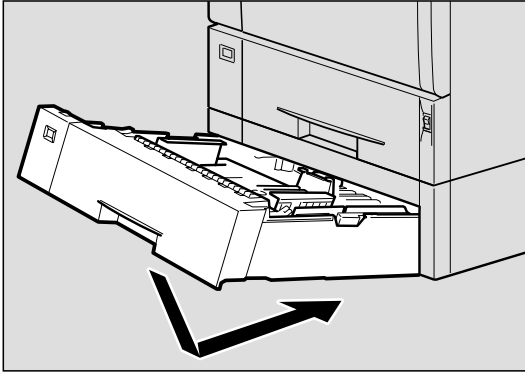
Important

- The tray of the top-most optional Paper Feed Unit is beneath the paper tray.

Note

- Keep the paper tray with paper in a cool dark place.

- 3** Lift the front of the Envelope Feeder, and slide it carefully into the printer until it stops.



ZKEP340E

Reference

For information about loading paper, see "*Loading Envelopes*" in the Printer Reference on the CD-ROM labeled "Operating Instructions".